



NS-SFP+DAC-A...

SFP+ Passive Cable Assembly , 1m、 3m、 5m、 7m Reach

Features

- ◆ Support for multi-gigabit data rates up to 10.5Gbps
- ◆ Data rates backward compatible to 1Gbps
- ◆ Support for 1x, 2x, 4x and 8x Fiber Channel data rates
- ◆ Hot-pluggable SFP 20PIN footprint
- ◆ I/O Connector designed for high speed differential signal applications
- ◆ Improved Pluggable Form Factor(IPF) compliant for enhanced EMI/EMC performance
- ◆ Low Power Consumption < 0.5W
- ◆ Power Supply :+3.3V
- ◆ Compatible to: SFF 8431,SFF 8472
- ◆ Temperature Range: 0~ 70 °C
- ◆ RoHS Compatible



Applications

- ◆ High capacity I/O in Storage Area Networks, Network Attached Storage, and Storage Servers
- ◆ Switched fabric I/O such as ultra high bandwidth switches and routers
- ◆ Data center cabling infrastructure
- ◆ High density connections between networking equipment

Product Description

The SFP+ cable assembly's printed circuit paddle card has been designed to not only address the stringent mechanical interface requirements but also the higher-bandwidth signal integrity requirements for 10Gb/s per channel transmission. The cable assembly also includes robust diecast covers and an EMI girdle to assure proper EMI shielding effectiveness and termination. Cable assembly removal is enabled via a user friendly pull tab.

The passive cable assembly design has no signal amplification in the cable assembly. Electronic



NETS

ООО «Новые Сети»
Проектирование сетей, поставка оборудования,
оптимизация и поддержка IT-инфраструктуры.
<https://newnets.ru>

Dispersion Compensation (EDC) is typically used on host board designs when passive SFP+ copper assemblies are utilized. EDC allows for an extended length of passive cable assemblies.

**Recommended Operating Conditions**

Parameter	Symbol	Min	Typical	Max	Unit
Storage Ambient Temperature		-40		+85	°C
Operating Case Temperature	T _c	0		+70	°C
Power Supply Voltage	V _{CC3}	3.14	3.3	3.47	V
Power Dissipation	PD			0.5	W

Systems

Performance	10.5 Gpbs line speed, full duplex Bit error rate: better than 10E-12
Media	Hot-pluggable, industry-standard Small Form-Factor Pluggable(SFP+) copper cable, available as 1m,3m or 5m.
Operating parameters	Supply voltage: 3.3V Power consumption(per end): max 0.5W

Supported Length

1m, 3m, or 5m typical & customer specific requirements

Pin Descriptions

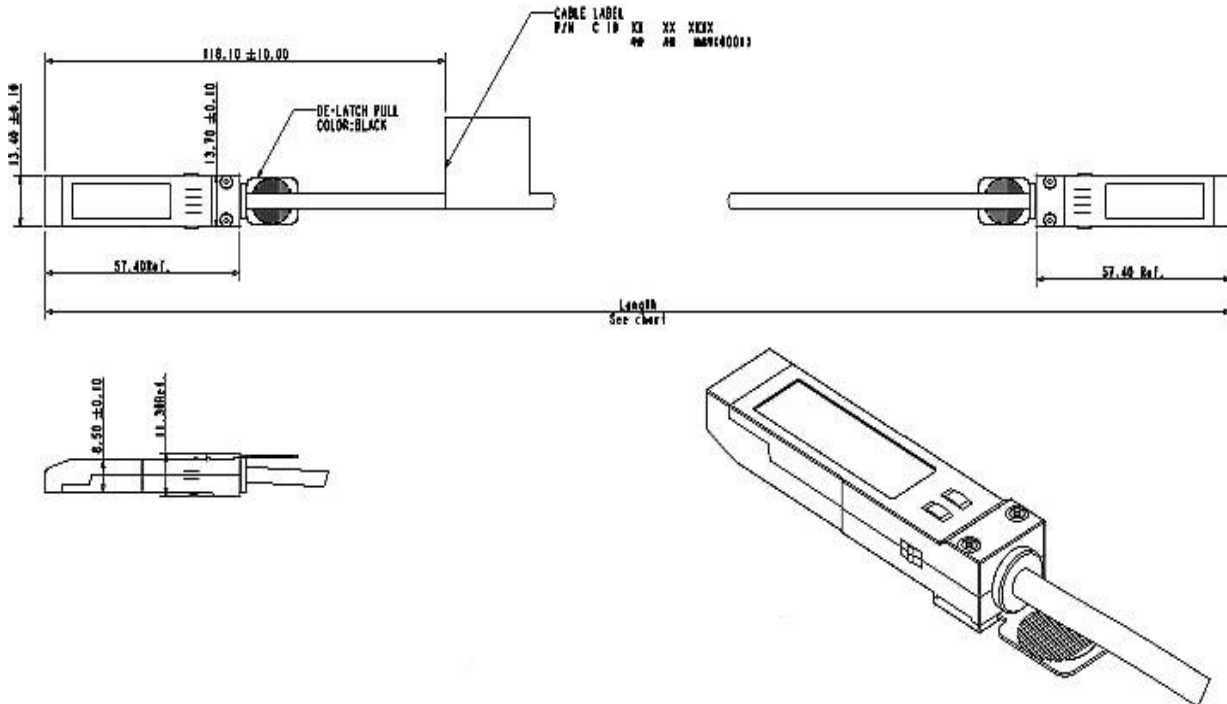
Pin	Logic	Symbol	Name/Description	Notes
1		VeeT	Transmitter Ground	
2	LV-TTL-O	TX_Fault	N/A	1
3	LV-TTL-I	TX_DIS	N/A	1
4	LV-TTL-I/O	SDA	Tow Wire Serial Data	
5	LV-TTL-I	SCL	Tow Wire Serial Clock	
6		MOD_DEF0	Module present, connect to VeeT	
7	LV-TTL-I	RS0	N/A	1
8	LV-TTL-O	LOS	N/A	1
9	LV-TTL-I	RS1	N/A	1
10		VeeR	Reciever Ground	
11		VeeR	Reciever Ground	
12	CML-O	RD-	Reciever Data Inverted	
13	CML-O	RD+	Reciever Data Non-Inverted	
14		VeeR	Reciever Ground	



18	CML-I	TD+	Transmitter Data Non-Inverted	
19	CML_I	TD-	Transmitter Data Inverted	
20		VeeT	Transmitter Ground	

1. Passive cable assemblies do not support LOS、TX_DIS、TX_Fault,pull down to Ground

Mechanical Dimensions



Ordering information

Part Number	Product Description
NS-SFP+DAC-	SFP+ Direct Attach (10GSFP+Cu), 1m, 3m, 5m, 7m 0°C ~ +70°C