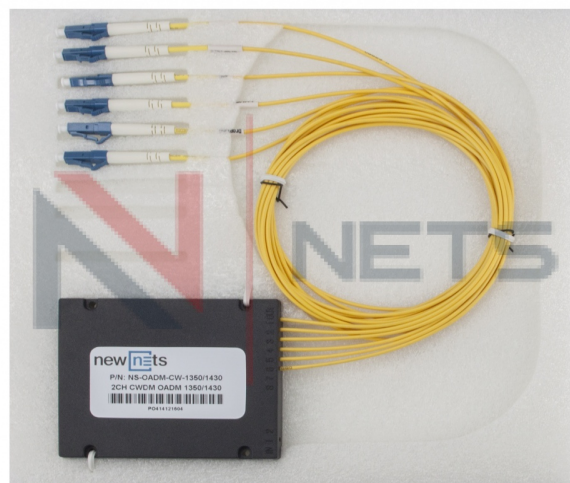


CWDM Optical Add/Drop Module

1. Features

- ◆ Low Insertion Loss
- ◆ High Isolation
- ◆ Low PDL
- ◆ Compact Design
- ◆ Good channel-to-channel uniformity
- ◆ Wide Operating Wavelength:
From 1260nm to 1620nm
- ◆ Wide Operating Temperature:
From -40 C to 85 C
- ◆ High Reliability and Stability



2. Applications

- ◆ CWDM System
- ◆ PON Networks
- ◆ CATV Links

3. Compliance

- ◆ Telcordia GR-1209-CORE-2001
- ◆ Telcordia GR-1221-CORE-1999
- ◆ RoHS



4. Specifications

NCH CWDM Optical Add/Drop Module

Parameters		1CH	2CH	4CH	8CH
Center Wavelength (nm)		ITU, ITU+1			
Passband (nm)		ITU±6.5			
Operating Wavelength (nm)		1460~1620 or 1260~1620			
Channel Space (nm)		20			
Fiber Type		SMF-28e or customer specified			
IL(dB) (P/A Grade)	Add&Drop Channel	0.5/0.6	0.7/1.0	1.4/1.7	2.0/2.5
	Express Channel	0.6/0.8	1.2/1.4	1.8/2.0	3.6/3.8
Isolation(dB)	Add&Drop Adjacent Channel	30			
	Add&Drop Non-Adjacent Channel	50			
	Express Channel	25			
Ripple(dB)		0.3	0.3	0.4	0.5
PDL(dB)		0.1			
PMD(ps)		0.1			
RL(dB)		45			
Directivity(dB)		50			
Maximum Optical Power (mw)		500			
Operating Temperature (°C)		-40~85			
Storage Temperature (°C)		-40~85			
BOX Package(mm)		100*80*10			140*115*18
LGX Package		1U, 2U			
19" Rack mount Package		1U			

Notes:

1. Specified without connectors.
2. Add an additional 0.2dB loss per connector.

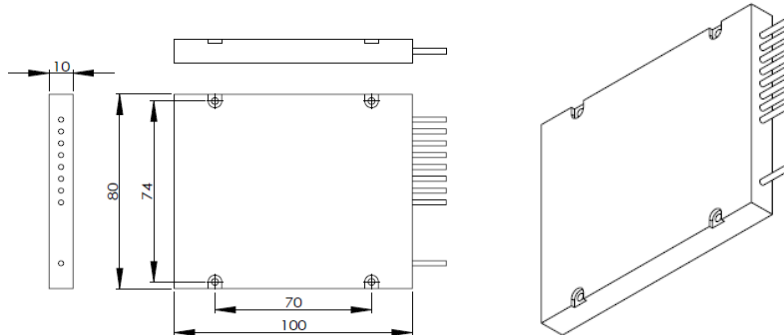


NETS

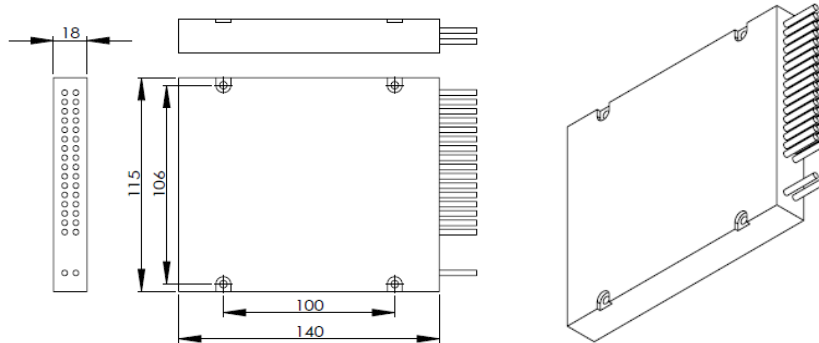
ООО «Новые Сети»
Проектирование сетей, поставка оборудования,
оптимизация и поддержка IT-инфраструктуры.
<https://newnets.ru>

5. Mechanical Dimensions

CWDM Optical Add/Drop Module



100X80X10



140X115X18